

Talk and receive calls everywhere

- Support Yealink wireless headset only
- Perfectly compatible with Mitel/Unify/Yealink T2X/T4XG desk phones
- Control phone through wireless headset
- Plug and play
- Easy to use



The advanced Yealink Headset Adapter EHS61 provides a technical interface between your Yealink DECT Headset and a compatible desk phone (Mitel/Unify/Yealink T2X/T4XG).

The unit is easy to install. Its plug-and-play effectively gives you the ability to remotely control your phone calls, including answering, hanging up, adjusting the volume.

It has been especially designed to ensure maximum productivity in business applications such as receptions and call centers, and is ideal for the Corporate, Financial, Health, Government, Educational, Industrial, and SME/SoHo market sectors.

Main Features

- Compatible with Yealink wireless headsets (WH62/WH63)
- Perfectly compatible with Mitel/Unify/Yealink T2X/T4XG IP Phone
- Plug and play
- The incoming call is transmitted directly to the wireless headset
- Control calls through remote wireless headset:
 - Answer calls
 - Hang up calls
 - Adjust the volume

Physical Features

- 1 x Micro USB jack for Yealink wireless headset (WH62/WH63), cable length 20cm
- 1 x TR9-5 (8 pins) to RJ9 (4 pins) & TR9-5 (8 pins) to RJ45 (8 pins) cable to connect Mitel & Unify Phones, EHS61 and headset port through the included cable
- 1 x RJ9 (4 pins) to RJ9 (4 pins) & RJ45 (8 pins) to RJ12 (6 pins) cable to connect the Yealink desk phone and EHS61 through the included cable

Package Features

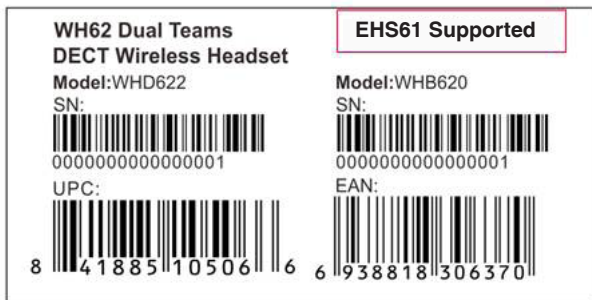
- Package content:
 - EHS61
 - Cable A (for connecting Mitel & Unify Phones)
 - Cable B (for connecting Yealink desk phones)
 - Cable C (for connecting Yealink desk phones)
 - User Guide
- Qty/CTN: 40 PCS
- N.W/CTN: 3.6 kg
- G.W/CTN: 4.1 kg
- Giftbox Size: 141mm x 102mm x 46mm
- Carton Meas: 430mm x 243mm x 297mm

Notes

Only the new hardware of WH62 and WH63 support EHS61.

Two ways to judge new hardware:

1) "EHS61 Supported" is marked on the giftbox:

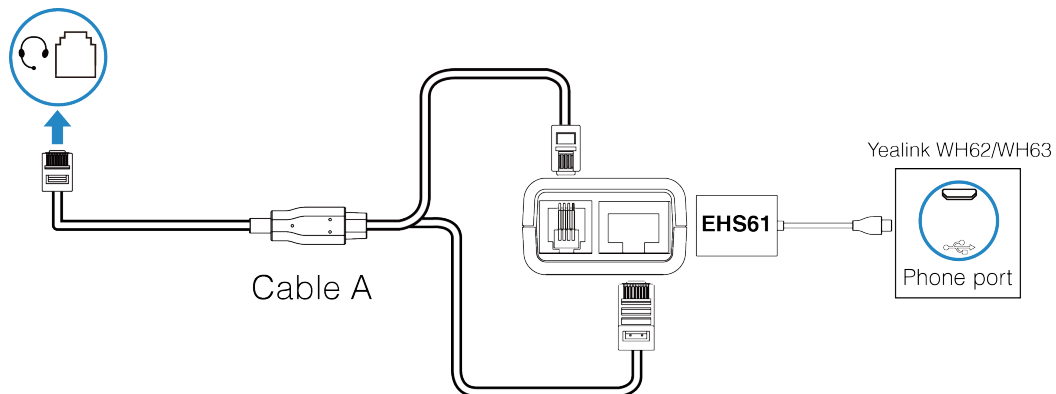


2) The Base of the headset is marked with EHS61 Supported and a V1 logo:

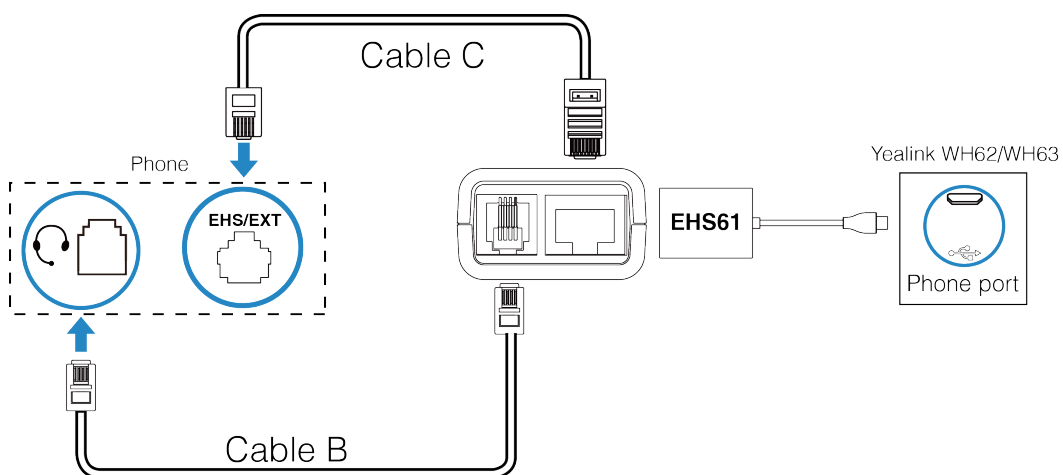


Connection

Connect the Mitel & Unify Phone



Connect the Yealink IP Phone



About Yealink

Yealink (Stock Code: 300628) is a global-leading provider of Unified Communication & Collaboration Solutions specialized in video conferencing, voice communications, and collaboration, dedicated to helping every person and organization embrace the power of "Easy Collaboration, High Productivity".

With best-in-class quality, innovative technology, and user-friendly experiences, Yealink is one of the best providers in more than 140 countries and regions, ranks No.1 in the global market share of IP Phone, and is the Top 5 leader in the video conferencing market (Frost & Sullivan, 2021).

Copyright

Copyright © 2022 YEALINK(XIAMEN) NETWORK TECHNOLOGY CO., LTD.

All rights reserved. No parts of this publication may be reproduced or transmitted in any form or by any means, electronic or mechanical, photocopying, recording, or otherwise, for any purpose, without the express written permission of Yealink(Xiamen) Network Technology CO., LTD.

Technical Support

Visit Yealink WIKI (<http://support.yealink.com/>) for firmware downloads, product documents, FAQ, and more. For better service, we sincerely recommend you to use Yealink Ticketing system (<https://ticket.yealink.com>) to submit all your technical issues.



YEALINK(XIAMEN) NETWORK TECHNOLOGY CO.,LTD.

Web: www.yealink.com

Addr: No.1 Ling-Xia North Road, High Tech Park, Huli District, Xiamen, Fujian, P.R.C

Copyright©2022 Yealink Inc. All rights reserved.