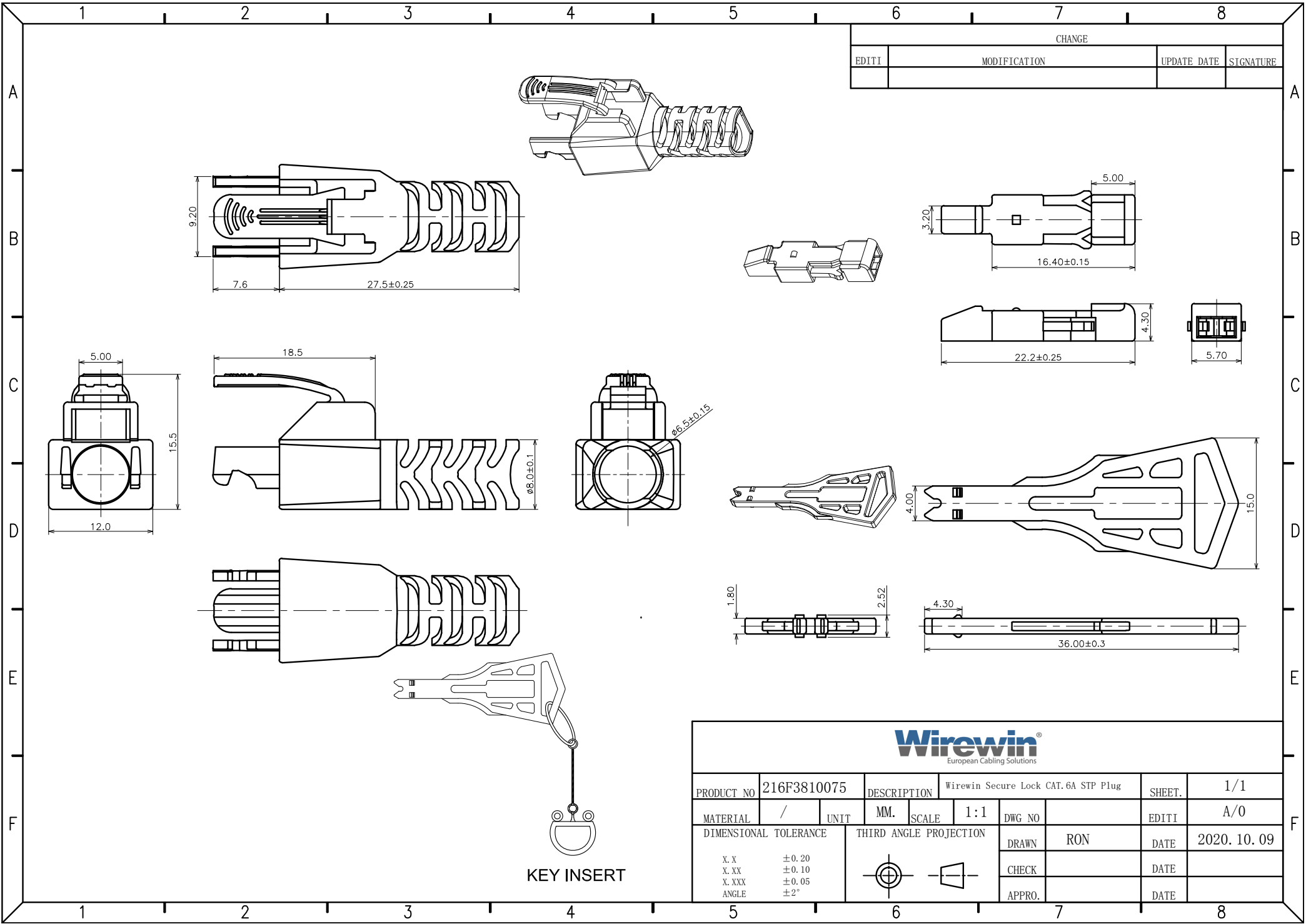


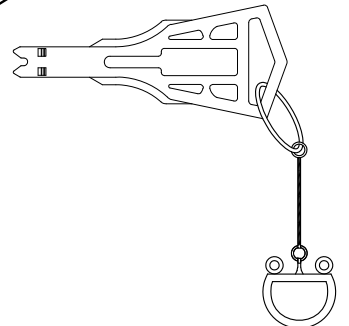
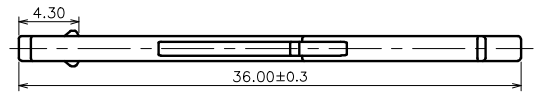
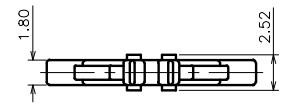
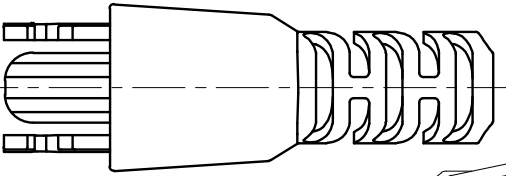
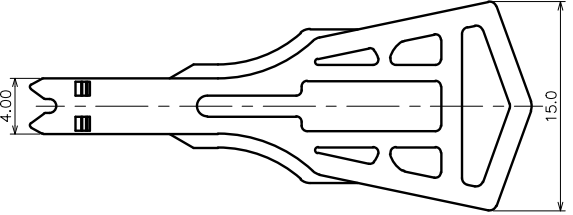
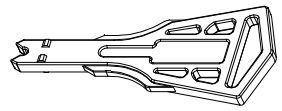
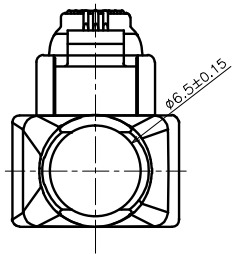
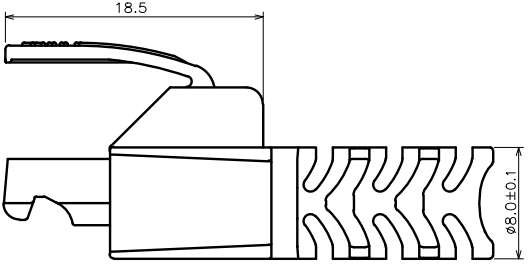
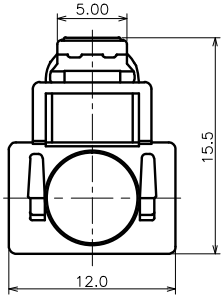
CHANGE			
EDITI	MODIFICATION	UPDATE DATE	SIGNATURE

Wirewin[®]
European Cabling Solutions

PRODUCT NO	216F3810075	DESCRIPTION	Wirewin Secure Lock CAT.6A STP Plug		SHEET.	1/1
MATERIAL	/	UNIT	MM.	SCALE	1:1	DWG NO
DIMENSIONAL TOLERANCE			THIRD ANGLE PROJECTION			
X.X	±0.20		DRAWN	RON	DATE	2020. 10. 09
X.XX	±0.10		CHECK		DATE	
X.XXX	±0.05		APPRO.		DATE	
ANGLE	±2°				DATE	



CHANGE			
EDITI	MODIFICATION	UPDATE DATE	SIGNATURE



KEY INSERT

Wirewin European Cabling Solutions									
PRODUCT NO	216F3810075		DESCRIPTION	Wirewin Secure Lock CAT.6A STP Plug			SHEET.	1/1	
MATERIAL	/	UNIT	MM.	SCALE	1:1	DWG NO	EDITI	A/0	
DIMENSIONAL TOLERANCE			THIRD ANGLE PROJECTION			DRAWN	RON	DATE	2020. 10. 09
X.X	±0.20					CHECK		DATE	
X.XX	±0.10					APPRO.		DATE	
X.XXX	±0.05							DATE	
ANGLE	±2°							DATE	