

New U-series compact network camera with enhanced functions and affordability

4MP Outdoor Dome Network Camera

The new U series is an entry model that achieves high quality and reliability at an affordable price to meet the needs of a wide range of customers. The compact and slim design allows it to be installed in a various locations.

It newly supports ONVIF G / S / T profile and H.265 / H.264, and can be widely used for connecting various VMS and recorders. It also comes pre-installed with secure certificates, enabling device authentication and end-to-end communication encryption to counter the threat of advanced cyberattacks.

Key features

- Compact and slim design allows installation in various locations
- Compliant with ONVIF G / S / T profile and H.265 / H.264, and can support a wide range of connections to VMS and recorders
- Uses "Easy Kitting Packing" that allows you to set the camera without removing it from the box
- Strengthen cyber security by pre-installing digital certificates issued by a third party organization (GlobalSign)

Key i-PRO Spec.

- 5MP Sensor
- 2688×1520 pixel image up to 30fps
- iA (intelligent Auto)
- Super Dynamic 102dB
- Color night vision (0.019 to 0.3 lx)
- H.265 Smart Coding
- Corridor mode
(90 degrees or 270 degrees in image rotation)
- Built-in IR LED
- ONVIF Profile G / S / T
- Genetec Stratocast compatible

Industry examples

- Safe Cities
- Transportation (Airport / Train, Subway station)
- Bank (ATM, Entrance)
- Retail / Logistics / Education / Hospital / Building



•••PRO

Specifications

Camera	Image Sensor	Approx. 1/2.7 type CMOS image sensor
	Effective pixels	Approx. 5.2 megapixels, 2688(H)×1944(V)
	Minimum illumination	Color : 0.3 lx, BW: 0.12 lx (50IRE, F2.0, Maximum shutter: Off (1/30s), AGC: 11) BW : 0 lx (50IRE, F2.0, Maximum shutter: Off (1/30s), AGC: 11, when the IR LED is lit) Color : 0.019 lx, BW: 0.0075 lx (50IRE, F2.0, Maximum shutter: max. 16/30s, AGC: 11) *1
	White Balance	ATW1/ ATW2/ AWC
	Maximum shutter	[30fps mode] Max. 1/10000 s to Max. 16/30 s [25fps mode] Max. 1/10000 s to Max. 16/25 s
	Intelligent Auto	On / Off
	Super Dynamic	On / Off, The level can be set in the range of 0 to 31.
	Dynamic Range	Max.102 dB (Super Dynamic: On, Level: 31)
	Adaptive Black Stretch	The level can be set in the range of 0 to 255.
	Back light compensation / High light compensation	BLC/ HLC/ Off, The level can be set in the range of 0 to 31. The level can be set in the range of 0 to 31. (only when Super Dynamic/ Intelligent auto: Off)
	Fog compensation	On / Off, The level can be set in the range of 0 to 8. (only when Intelligent auto / auto contrast adjust: Off)
	Maximum gain (AGC)	The level can be set in the range of 0 to 11.
	Color/BW (ICR)	Off/ On (IR Light Off) / On (IR Light On) / Auto1 (IR Light Off) / Auto2 (IR Light On) / Auto3 (SCC)
	IR LED Light	High/ Middle/ Low/ Off Maximum irradiation distance: 20 m (Approx. 65 ft)
	Digital Noise Reduction	The level can be set in the range of 0 to 255.
	Video Motion Detection (VMD)	On / Off, 4 areas available
	Scene Change Detection (SCD)	On / Off, 1 area available
	Privacy Zone	On / Off, Up to 8 zones available
	VIQS	On / Off, Up to 8 zones available
	Image rotation	0° (Off) / 90° / 180° (Upside-down) / 270°
Camera Title (OSD)	On / Off, Up to 20 characters (alphanumeric characters, marks)	
Lens	Focal length	3.2 mm (1/8 inches)
	Optical zoom	1x
	Extra zoom	1.0x - 1.3x (when resolution is 1920x1080)
	Digital (electronic) zoom	Choose from 3 levels of x1, x2, x4
	Angular Field of View	[16 : 9 mode] * [4:3 mode] is not supported. Horizontal : 100°, Vertical : 54°
DORI	Maximum Aperture Ratio	1 : 2.0
	Focusing Range	1 m (39-3/8 inches) - ∞
	Detect (25ppm / 8ppf)	43.0 m / 141.0 ft
	Observe (62.5ppm / 19ppf)	17.2 m / 56.4 ft
Recognize (125ppm / 38ppf)	8.6 m / 28.2 ft	
Identify (250ppm / 76ppf)	4.3 m / 14.1 ft	
Adjusting Angle	Horizontal (PAN) angle: -175° ~ +175°, Vertical (TILT) angle: -30° ~ +80° Azimuth (YAW) angle: ±100°	
Browser GUI	Camera Control	Brightness
	GUI / Setup Menu Language	English, Italian, French, German, Spanish, Portuguese, Russian, Chinese, Japanese
Network	Network IF	10Base-T / 100Base-TX, RJ45 connector
	Resolution H.265/H.264	[16:9 mode(2688x1520 30fps mode)], [16:9 mode(2688x1520 25fps mode)] 2688×1520, 1920×1080, 640×360, 320×180 [16:9 mode(30fps mode)], [16:9 mode(25fps mode)] 2560×1440, 1920×1080, 640×360, 320×180 *[4:3 mode] is not supported.
	H.265/ H.264	Transmission Mode Constant bit rate / VBR / Frame rate / Best effort Transmission Type Unicast port(AUTO) / Unicast port(MANUAL) / Multicast
		Stream(1) Stream(2) Stream(3) JPEG(1) JPEG(2) 2688x1520(30fps) Off Off 2560x1440(1fps) 1920x1080(1fps) 2560x1440(30fps) 640x360(30fps) Off 2560x1440(1fps) 1920x1080(1fps) 1920x1080(30fps) 1920x1080(30fps) 640x360(10fps) 2560x1440(1fps) 1920x1080(1fps)
	JPEG	Image Quality 10 steps

Network	Smart Coding	GOP(Group of pictures) control: On(Frame rate control) / On(Advanced) / On(Mid.) / On(Low) / Off *Frame rate control and Advanced are only available with H.265. AUTO VIQS: On/ Off
	Audio Compression	—
	Audio transmission mode Supported Protocol	—
		IPv6 : TCP/IP, UDP/IP, HTTP, HTTPS, SSL/TLS, SMTP, DNS, NTP, SNMPv1/v2/v3, DHCPv6, RTP, MLD, ICMP, ARP, IEEE 802.1X, DiffServ, MQTT*4, LLDP*4 IPv4 : TCP/IP, UDP/IP, HTTP, HTTPS, SSL/TLS, RTP, RTCP, SMTP, DHCP, DNS, DDNS, NTP, SNMPv1/v2/v3, UPnP, ICMP, ARP, IEEE 802.1X, DiffServ, MQTT*4, LLDP*4
	No. of Simultaneous Users	Up to 14 users (Depends on network conditions)
	SDXC/SDHC/SD Memory Card	H.265/H.264 recording: Manual REC / Alarm REC (Pre/Post) / Schedule REC Compatible SDXC/SDHC/SD Memory Card : microSDXC memory card: 64 GB, 128 GB, 256 GB, 512 GB microSDHC memory card: 4 GB, 8 GB, 16 GB, 32 GB microSD memory card: 2 GB
	Mobile Terminal Compatibility	ONVIF Profile
	Alarm Source	iPad, iPhone, Android™ terminals
	Alarm Actions	G / S / T VMD alarm, SCD alarm, Command alarm
	Monitor Output(for adjustment)	SDXC/SDHC/SD memory recording, E-mail notification, HTTP alarm notification, Indication on browser, Panasonic alarm protocol output
Input/ Output	Audio input	—
	Audio Output	—
	External I/O Terminals	—
	Safety	—
General	EMC	UL (UL60950-1), c-UL (CSA C22.2 No.60950-1), CE, IEC60950-1
	Power Source and Power Consumption	FCC (Part15 ClassA), ICES003 ClassA, EN55032 ClassB, EN55024 PoE (IEEE802.3af compliant) Device:
	Ambient Operating Temperature	DC48 V 110 mA, Approx. 5.3 W (Class 2 device) -30 °C to +50 °C (-22 °F to +122 °F)
	Ambient Operating Humidity	{Power On range: -20 °C to +50 °C (-4°F to +122 °F)}
	Anti-Condensation System	10 to 100 % (no condensation)
	Water and Dust Resistance ³	Temish element
	Shock Resistance	IP66 (IEC 60529), Type 4X (UL50E), NEMA 4X compliant
	Wind Resistance	IK10 (IEC 62262)
	Dimensions	Up to 40 m/s (approx. 89 mph) ø109 mm (W) x 62 mm (H) {ø4-9/32 inches x 2-7/16 inches (H)}
	Mass (approx.)	Dome radius 30.5 mm (1-3/16 inches)
	Finish	270 g (0.60 lbs.) Main body : Aluminum die cast / Polycarbonate resin, i-PRO white Outer fixing screws : Stainless steel (Corrosion-resistant treatment) Dome cover : Polycarbonate resin, Clear

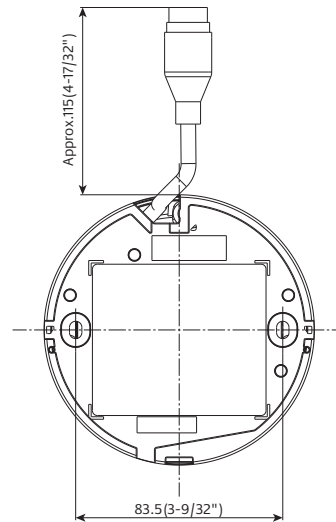
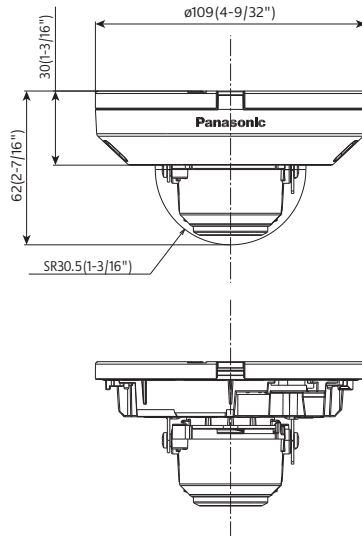
*1 Converted value

*2 Smart Coding(GOP and AUTO VIQS) is not available when setting 30fps.

*3 Only when installation work is properly performed according to the Installation Guide and appropriate waterproof treatment is performed.

*4 It may be necessary to upgrade the firmware to use these protocols.








Appearance





Unit : mm (inches)

Optional Accessories

Mount Bracket / Other

		WALL		POLE	CORNER
		1	2	1	1
combination	Wall Mount Bracket WV-QWL500-W (i-PRO white) 	Base bracket WV-QJB502-W (i-PRO white) 		Pole Mount Bracket WV-QPL500-W (i-PRO white) 	Corner Mount Bracket WV-QCN500-W (i-PRO white) 
	Adapter Box WV-QJB500-W (i-PRO white)  *If needed.			Wall Mount Bracket WV-QWL500-W (i-PRO white) (+ WV-QJB500-W) 	Wall Mount Bracket WV-QWL500-W (i-PRO white) (+ WV-QJB500-W) 

		HANGING	CEILING
		1	1
combination	Ceiling Mount Bracket WV-QCL100-W ^{*1} (i-PRO white)  *For indoor installation only		Base bracket WV-QJB502-W (i-PRO white) 
		3rd. parties pipe	

*1 : It's possible to be used on the camera side and ceiling side. If used on both side, 2pieces are required.

Dome Cover

Dome Cover (Smoke type)
WV-QDC500S



Trademarks and registered trademarks

- iPad and iPhone are trademarks of Apple Inc., registered in the U.S. and other countries.
- Android is a trademark of Google LLC.
- ONVIF is trademarks or registered trademarks of Onvif Inc.
- All other trademarks identified herein are the property of their respective owners.

Important

- Safety Precautions : Carefully read the Basic Information, Installation Guide and Operating Instructions before using this product.
- Panasonic i-PRO Sensing Solutions Co., Ltd. cannot be held responsible for the performance of the network and/or other manufacturers' products used on the network.

• Masses and dimensions are approximate. • Specifications are subject to change without notice.

Panasonic®

Panasonic Corporation

Panasonic i-PRO Sensing Solutions Co., Ltd.

<https://ipro.panasonic.com>

<https://security.panasonic.com>

<https://www.linkedin.com/company/i-pro-sensing-solutions-co-ltd/>

(2A-298A-R1)