

New U-series compact network camera with enhanced functions and affordability

2MP (1080p) Indoor Box Network Camera

The new U series is an entry model that achieves high quality and reliability at an affordable price to meet the needs of a wide range of customers. The compact and slim design allows it to be installed in a various locations.

It newly supports ONVIF G / S / T profile and H.265 / H.264, and can be widely used for connecting various VMS and recorders. It also comes pre-installed with secure certificates, enabling device authentication and end-to-end communication encryption to counter the threat of advanced cyberattacks.

Key features

- Compact and slim design allows installation in various locations
- Compliant with ONVIF G / S / T profile and H.265 / H.264, and can support a wide range of connections to VMS and recorders
- Uses "Easy Kitting Packing" that allows you to set the camera without removing it from the box
- Strengthen cyber security by pre-installing digital certificates issued by a third party organization (GlobalSign)

Key i-PRO Spec.

- 2MP (1080p) up to 30fps
- iA (intelligent Auto)
- Super Dynamic 120dB
- Color night vision (0.006 to 0.1 lx)
- H.265 Smart Coding
- Corridor mode
(90 degrees or 270 degrees in image rotation)
- ONVIF Profile G / S / T
- Genetec Stratocast compatible

Industry examples

- Retail
- Education
- Public safety
- Bank / Hospital / Building



i-PRO

Specifications

Camera	Image Sensor	Approx. 1/3 type CMOS image sensor																				
	Minimum Illumination	Color : 0.1 lx, BW: 0.04 lx (50IRE, F2.0, Maximum shutter: Off (1/30s), AGC: 11) Color : 0.006 lx, BW: 0.0025 lx (50IRE, F2.0, Maximum shutter: max. 16/30s, AGC: 11) *1																				
	White Balance	ATW1/ ATW2/ AWC																				
	Maximum shutter	[30fps mode] Max. 1/10000 s to Max. 16/30 s [25fps mode] Max. 1/10000 s to Max. 16/25 s																				
	Intelligent Auto	On / Off																				
	Super Dynamic	On / Off, The level can be set in the range of 0 to 31.																				
	Dynamic Range	Max. 120 dB (Super Dynamic: On, Level: 31)																				
	Adaptive Black Stretch	The level can be set in the range of 0 to 255.																				
	Back light compensation / High light compensation	BLC (Back light compensation) / HLC (High light compensation) / Off The level can be set in the range of 0 to 31. (only when Super dynamic / Intelligent Auto: Off)																				
	Fog compensation	On / Off (only when Intelligent auto / auto contrast adjust: Off)																				
	Maximum gain (AGC)	The level can be set in the range of 0 to 11.																				
	Color/BW (ICR)	Off / On / Auto1 (Normal) / Auto2 (IR Light) / Auto3 (SCC)																				
	Digital Noise Reduction	The level can be set in the range of 0 to 255.																				
	Video Motion Detection (VMD)	On/ Off, 4 areas available																				
	Scene Change Detection(SCD)	On/ Off, 1 area available																				
	Privacy Zone	On/ Off, Up to 8 zones available																				
	VIQS	On/ Off, Up to 8 zones available																				
Image rotation *2	0° (Off) / 90° / 180° (Upside-down) / 270°																					
Camera Title (OSD)	On/ Off, Up to 20 characters (alphanumeric characters, marks)																					
Lens	Focal length	3.2 mm {1.8 inches}																				
	Optical zoom	1x																				
	Extra zoom	1.0x - 1.5x (when resolution is 1280x720)																				
	Digital (electronic) zoom	Choose from 3 levels of x1, x2, x4																				
	Angular Field of View	[16 : 9 mode] Horizontal : 102°, Vertical : 55° [4 : 3 mode] Horizontal : 83°, Vertical : 61°																				
	Maximum Aperture Ratio	1 : 2.0																				
	Focusing Range	1 m {39-3/8 inches} ~ ∞																				
DORI	Detect (25ppm / 8ppf)	36.2 m / 118.7 ft																				
	Observe (62.5ppm / 19ppf)	14.5 m / 47.5 ft																				
	Recognize (125ppm / 38ppf)	7.2 m / 23.7 ft																				
	Identify (250ppm / 76ppf)	3.6 m / 11.9 ft																				
Browser GUI	Camera Control	Brightness																				
	GUI / Setup Menu Language	English, Italian, French, German, Spanish, Portuguese, Russian, Chinese, Japanese																				
Network	Network IF	10Base-T / 100Base-TX, RJ45 connector																				
	Resolution	[16 : 9 mode] 1920x1080, 1280x720, 640x360, 320x180 [4 : 3 mode] 1600x1200, 1280x960, VGA, QVGA																				
	H.265/ H.264	Constant bit rate / VBR / Frame rate / Best effort																				
	Transmission Mode	Unicast port(AUTO) / Unicast port(MANUAL) / Multicast																				
	Transmission Type																					
	Max. frame rate for each stream *3	<table border="1"> <thead> <tr> <th>Stream(1)</th> <th>Stream(2)</th> <th>Stream(3)</th> <th>JPEG(1)</th> <th>JPEG(2)</th> </tr> </thead> <tbody> <tr> <td>1920x1080(30fps)</td> <td>640x360(30fps)</td> <td>Off</td> <td>1920x1080(1fps)</td> <td>1280x720(1fps)</td> </tr> <tr> <td>1280x720(30fps)</td> <td>1280x720(30fps)</td> <td>Off</td> <td>1920x1080(1fps)</td> <td>1280x720(1fps)</td> </tr> <tr> <td>1600x1200(30fps)</td> <td>640x480(30fps)</td> <td>Off</td> <td>1600x1200(1fps)</td> <td>1280x960(1fps)</td> </tr> </tbody> </table>	Stream(1)	Stream(2)	Stream(3)	JPEG(1)	JPEG(2)	1920x1080(30fps)	640x360(30fps)	Off	1920x1080(1fps)	1280x720(1fps)	1280x720(30fps)	1280x720(30fps)	Off	1920x1080(1fps)	1280x720(1fps)	1600x1200(30fps)	640x480(30fps)	Off	1600x1200(1fps)	1280x960(1fps)
	Stream(1)	Stream(2)	Stream(3)	JPEG(1)	JPEG(2)																	
1920x1080(30fps)	640x360(30fps)	Off	1920x1080(1fps)	1280x720(1fps)																		
1280x720(30fps)	1280x720(30fps)	Off	1920x1080(1fps)	1280x720(1fps)																		
1600x1200(30fps)	640x480(30fps)	Off	1600x1200(1fps)	1280x960(1fps)																		
JPEG	Image Quality	10 steps																				

Network	Smart Coding	GOP(Group of pictures) control: On(Frame rate control) / On(Advanced) / On(Mid.) / On(Low) / Off *Frame rate control and Advanced are only available with H.265. AUTO VIQS: On/ Off
	Audio Compression	—
	Audio transmission mode Supported Protocol	— IPv6 : TCP/IP, UDP/IP, HTTP, HTTPS, SSL/TLS, SMTP, DNS, NTP, SNMPv1/v2/v3, DHCPv6, RTP, MLD, ICMP, ARP, IEEE 802.1X, DiffServ, MQTT*4, LLDP*4 IPv4 : TCP/IP, UDP/IP, HTTP, HTTPS, SSL/TLS, RTSP, RTP, RTCP, SMTP, DHCP, DNS, DDNS, NTP, SNMPv1/v2/v3, UPnP, ICMP, ICMP, ARP, IEEE 802.1X, DiffServ, MQTT*4, LLDP*4
No. of Simultaneous Users	Up to 14 users (Depends on network conditions)	
SDXC/SDHC/SD Memory Card	H.265/H.264 recording: Manual REC / Alarm REC (Pre/Post) / Schedule REC Compatible SDXC/SDHC/SD Memory Card : microSDXC memory card: 64 GB, 128 GB, 256 GB, 512 GB microSDHC memory card: 4 GB, 8 GB, 16 GB, 32 GB microSD memory card: 2 GB	
Mobile Terminal Compatibility	iPad, iPhone, Android™ terminals	
ONVIF Profile	G / S / T	
Alarm	Alarm Source	VMD alarm, SCD alarm, Command alarm
	Alarm Actions	SDXC/SDHC/SD memory recording, E-mail notification, HTTP alarm notification, Indication on browser, Panasonic alarm protocol output
Input/ Output	Monitor Output(for adjustment)	—
	Audio input	—
	Audio Output	—
External I/O Terminals	—	
General	Safety	UL (UL60950-1), c-UL (CSA C22.2 No.60950-1), CE, IEC60950-1
	EMC	FCC (Part15 ClassA), ICES003 ClassA, EN55032 ClassB, EN55024
	Power Source and Power Consumption	PoE (IEEE802.3af compliant) Device: DC48 V 80 mA, Approx. 3.8 W (Class 2 device)
	Ambient Operating Temperature	-10 °C to +50 °C (+14 °F to +122 °F) {Power On range: 0 °C to +50 °C (+32 °F to +122 °F)}
	Ambient Operating Humidity	10 to 90 % (no condensation)
	Dimensions	59 mm (W) x 49 mm (H) x 116 mm (D) {2-5/16 inches (W) x 1-15/16 inches (H) x 4-9/16 inches (D)} (excluding side cover)
	Mass (approx.)	150 g {0.33 lbs.}
	Finish	Main body: PC / ABS resin, i-PRO white

*1 Converted value

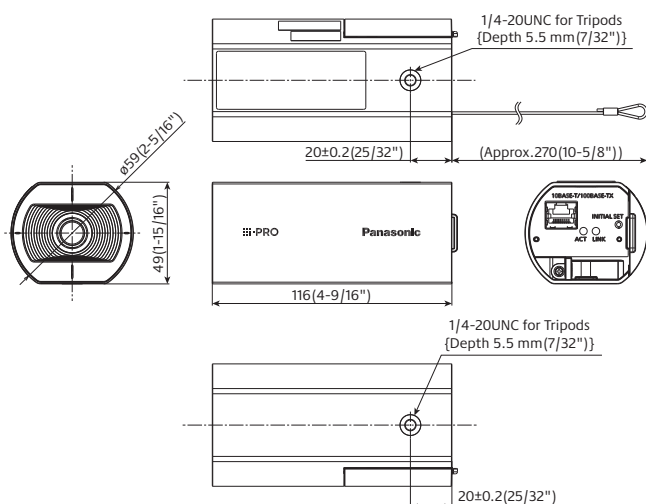
*2 When "4:3(30fps mode)" or "4:3(25fps mode)" is selected for "Image capture mode", "90 °" and "270 °" cannot be selected.

*3 Smart Coding(GOP and AUTO VIQS) is not available when setting 30fps.

*4 It may be necessary to upgrade the firmware to use these protocols.

Appearance

Unit : mm (inches)



Trademarks and registered trademarks

- iPad and iPhone are trademarks of Apple Inc., registered in the U.S. and other countries.
- Android is a trademark of Google LLC.
- ONVIF is trademarks or registered trademarks of Onvif Inc.
- All other trademarks identified herein are the property of their respective owners.

Important

- Safety Precautions : Carefully read the Basic Information, Installation Guide and Operating Instructions before using this product.
- Panasonic i-PRO Sensing Solutions Co., Ltd. cannot be held responsible for the performance of the network and/or other manufacturers' products used on the network.

• Masses and dimensions are approximate. • Specifications are subject to change without notice.

Panasonic®

Panasonic Corporation

Panasonic i-PRO Sensing Solutions Co., Ltd.

<https://ipro.panasonic.com>

<https://security.panasonic.com>

<https://www.linkedin.com/company/i-pro-sensing-solutions-co-ltd/>

(2A-287A-R1)