



XNP-6400

2MP Network 40x PTZ Camera

Benefits

- 65% lighter than conventional PTZ's for easier installation and increased speed of the Pan/Tilt functionality
- PTZ PLUS supports a RJ45 connector only, so all you have to do is connect a single RJ45 cable for quick and easy installation
- Heat activated lens dries water
- AI based object tracking, select the object you want e.g. a car or person
- Exceptional image quality for clearer and more detailed video
- Enhanced Cybersecurity for extra peace of mind
- Allows for monitoring in complete darkness up to 200 metres with adaptive IR

XNP-6400

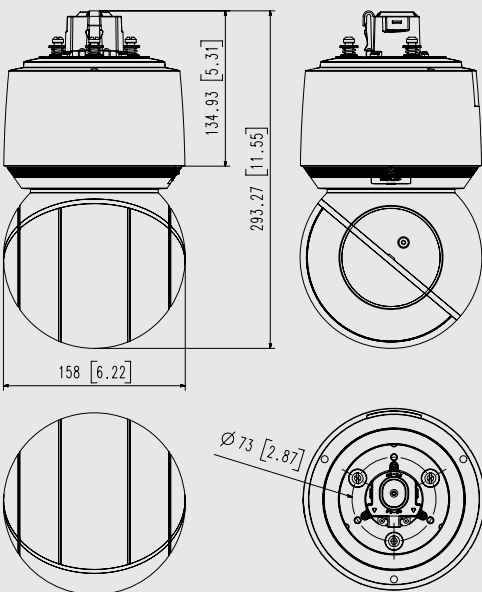
XNP-6400	
VIDEO	
Imaging Device	1/2.8" CMOS
Resolution	1920x1080, 1280x1024, 1280x960, 1280x720, 1024x768, 800x600, 800x448, 720x576, 720x480, 640x480, 640x360, 320x240
Max. Framerate	H.265/H.264: Max. 60fps/50fps(60Hz/50Hz) MJPEG: Max. 30fps/25fps(60Hz/50Hz)
Min. Illumination	Colour: 0.05Lux(F1.6, 1/30sec) BW: 0.005Lux(IR LED On)
LENS	
Focal Length (Zoom Ratio)	4.25~170mm(40x) zoom (digital 32x, total 1280x zoom)
Max. Aperture Ratio	F1.6(Wide)~F4.95(Tele)
Angular Field of View	H: 65.66°(Wide)~1.88°(Tele) / V: 39.40°(Wide)~1.09°(Tele)
Min. Object Distance	3m(9.84ft)
Focus Control	Oneshot AF, Focus save
Lens Type	DC auto iris
PAN / TILT / ROTATE	
Pan Range	360° Endless
Pan Speed	Max. 700°/sec, Manual: 0.024°/sec~250°/sec
Tilt Range	110°(-20°~90°)
Tilt Speed	Max. 500°/sec, Manual: 0.024°/sec~250°/sec
Sequence	Preset(300ea), Swing, Group(6ea), Trace, Tour, Auto Run, Schedule
Preset Accuracy	Up to ±0.1°, Pan/Tilt correction
OPERATIONAL	
Camera Title	Displayed up to 85 characters
Direction Indicator	Support
Day & Night	Auto(ICR)/Colour/BW/Schedule
Backlight Compensation	BLC, HLC, WDR, SSSR
Wide Dynamic Range	Extreme WDR(150dB)
Digital Noise Reduction	SSNRV
Digital Image Stabilization	Support(built-in gyro sensor)
Defog	Support
Motion Detection	8ea, 8point polygonal zones
Privacy Masking	32ea, polygonal Support - Colour: Grey/Green/Red/Blue/Black/White - Mosaic
Gain Control	Low / Middle / High
White Balance	ATW / AWC / Manual / Indoor / Outdoor
Electronic Shutter Speed	Minimum / Maximum / Anti flicker (2~1/12,000sec)
Video Rotation	Flip, Mirror
Analytics	Directional detection, Fog detection, Face detection, Motion detection, Appear/Disappear, Enter/Exit, Loitering, Tampering, Virtual line, Shock detection * Audio detection, Sound classification(with NW I/O Box)
Alarm Triggers	Analytics, Network disconnect * Alarm input(with NW I/O Box)
Alarm Events	File upload via FTP and e-mail Notification via e-mail SD/SDHC/SDXC or NAS recording at event triggers PTZ Preset Handover * Alarm output(with NW I/O Box)
Water Removal	Support(Spinning dry)
Auto Tracking	Object auto tracking(Person/Vehicle), Target lock tracking

Key Features

- Max. 2MP resolution
- 44.25~170mm (40x) zoom (digital 32x, total 1280x zoom)
- Day&night (ICR), extreme WDR, DIS (Built-in gyro sensor)
- Intelligent Analytics, Object auto tracking (Person/Vehicle), Target lock tracking
- H.264, H.265, MJPEG codec, WiseStreamII
- IP66, IK10, NEMA4X, NEMA-TS 2 (2.2.8, 2.2.9)
- PTZ PLUS Design applied (Compact, Lighter, Simple cabling)

Dimensions

Unit:mm(inch)



XNP-6400

NETWORK

Ethernet	Metal shielded RJ-45(10/100BASE-T)
Video Compression	H.265/H.264: Main/Baseline/High, MJPEG
Smart Codec	Manual(Sea area), WiseStreamII
Bitrate Control	H.264/H.265: CBR or VBR MJPEG: VBR
Streaming	Unicast(20 users) / Multicast (128 user) Multiple streaming(Up to 10 profiles)
Protocol	IPv4, IPv6, TCP/IP, UDP/IP, RTP(UDP), RTP(TCP), RTP/RTSP, NTP, HTTP, HTTPS, SSL/TLS, DHCP, FTP, SMTP, ICMP, IGMP, SNMPv1/v2c/v3(MIB-2), ARP, DNS, DDNS, QoS, PIM-SM, UPnP, Bonjour, LLDP, SRTP
Security	HTTPS(SSL) Login Authentication Digest Login Authentication IP Address Filtering User access log 802.1X Authentication(EAP-TLS, EAP-LEAP) Device certificate(Hanwha Techwin Root CA)
Application Programming Interface	ONVIF Profile S/G/T SUNAPI(HTTP API) Wisenet open platform

GENERAL

Webpage Language	English, Korean, Chinese, French, Italian, Spanish, German, Japanese, Russian, Swedish, Portuguese, Czech, Polish, Turkish, Dutch, Hungarian, Greek
Edge Storage	Micro SD/SDHC/SDXC 2slot 1TB
Memory	4GB RAM, 512MB Flash

ENVIRONMENTAL & ELECTRICAL

Operating Temperature / Humidity	-40°C~+55°C(-40°F~+131°F) / Less than 95% RH (Non-condensing) Maximum Temperature based on NEMA-TS 2(2.2.7) : +74°C(+165°F)
Storage Temperature / Humidity	-50°C~+60°C (-58°F~+140°F) / Less than 95% RH (Non-condensing)
Certification	IP66, IK10, NEMA4X, NEMA-TS 2(2.2.8, 2.2.9)
Input Voltage	PoE+(IEEE802.3at, Class4)
Power Consumption	Typical 20W, Max 25W

MECHANICAL

Colour / Material	Body : White / Aluminum Head : Black / Polycarbonate Hard-coated dome
RAL Code	White: RAL9003 / Black: RAL9005
Product Dimensions / Weight	Ø158x293.3mm(6.22x11.55") / 3.2Kg(6.17lb)

DORI (EN62676-4 STANDARD)

Detect (25PPM/ 8PPF)	Wide: 59.5m(195.3ft) / Tele: 2340.4m(7678.4ft)
Observe (63PPM/ 19PPF)	Wide: 23.8m(78.1ft) / Tele: 936.2m(3071.4ft)
Recognize (125PPM/ 38PPF)	Wide: 11.9m(39.1ft) / Tele: 468.1m(1535.7ft)
Identify (250PPM/ 76PPF)	Wide: 6.0m(19.5ft) / Tele: 234.0m(767.8ft)

* The latest product information / specification can be found at hanwha-security.eu

* Wisenet is the proprietary brand of Hanwha Techwin.