



MarbleShell

MS31



MarbleShell

MS31



- *Build-in USB 3.2 Type C*
- *4 Pre-installed ARGB PWM Fans*
- *High Compatibility with 420 AIO in 38 Thickness & 11 Fans*
- *Reusable Slots & GPU Holder*
- *Magnetic Transparent Full-View Tempered Glass Side Opening Panel*



Features

- **Cross Generation Case**
 - Optimized Airflow with Exclusive Design of Mesh Panel to Meet the Higher Cooling Demand.
 - I/O with USB 3.0 and USB 3.2 Type C Compliant with the Latest Common EU Charger from Europe an Parliament.
 - Equipped with 12cm ARGB PWM Fan x 4 for Lower Noise Level During Operation.
- **High Compatibility**
 - Up to 4 Drives (3.5" HDD x 2, 2.5" SSD x 2 / 3.5" HDD x 1, 2.5" SSD x 3).
 - Support Up to E-ATX Motherboard.
 - Support 420 AIO in 38mm Thickness and 11 Fans in Maximum.
- **Personalized Appearance**
 - White Ver. Option for Standout Building.
 - Magnetic Transparent Full-View Tempered Glass Side Opening Panel to Show Your Exclusive Building.
 - Pre-installed 4 ARGB Fans for Dazzling Light Effect.
- **Easy Cable Management & Dust Removal**
 - ENERMAX Cable Tie & Rubber Grommets for Easy Cable Routing.
 - Dust Free with Magnetic Dust Filter and Side Opening Panel.
- **Friendly Installation**
 - Friendly Installation with GPU Holder & Reusable Slots.



Build-in USB 3.2 Type C + USB 3.0 x 2



Magnetic Dust Filter on Both Top and Front Side



7 Reusable Expansion Slots



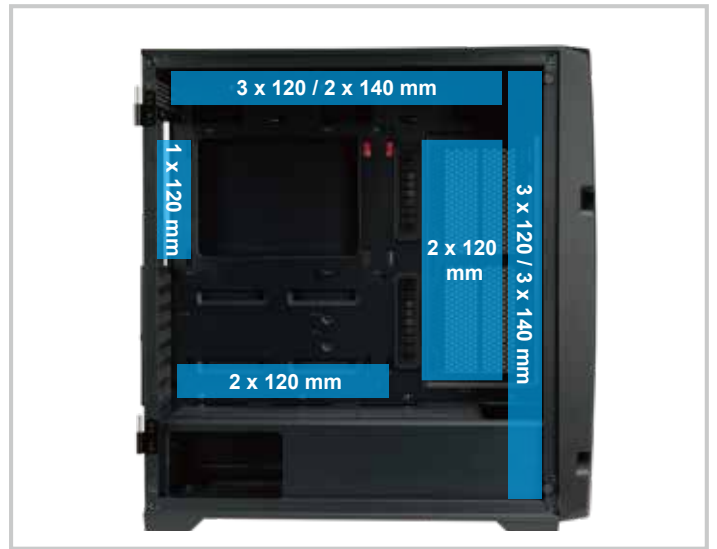
Comes with GPU Holder



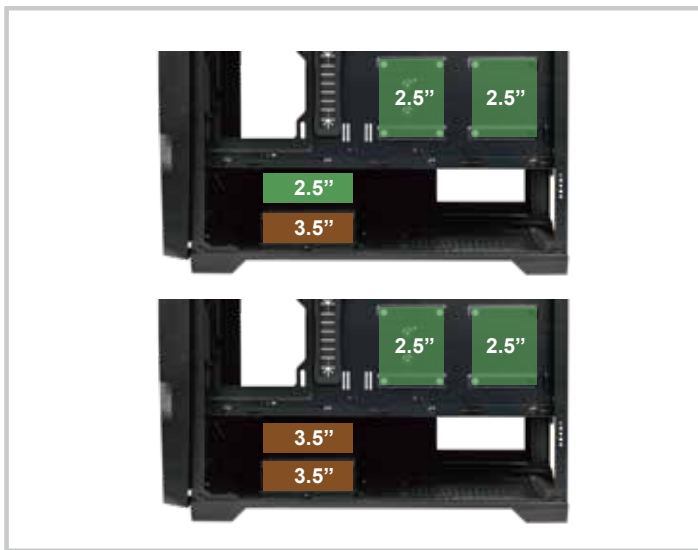
Pre-installed 4 ARGB PWM Fans



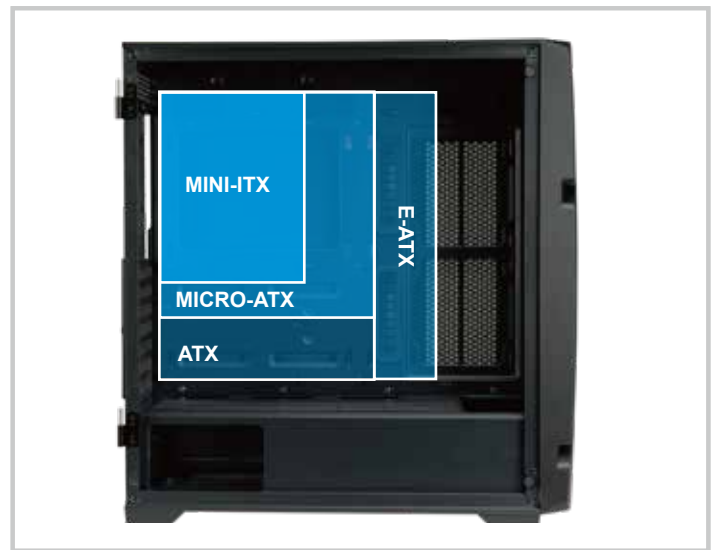
Support 420 AIO in 38mm Thickness



Maximum 11 Fans Installation



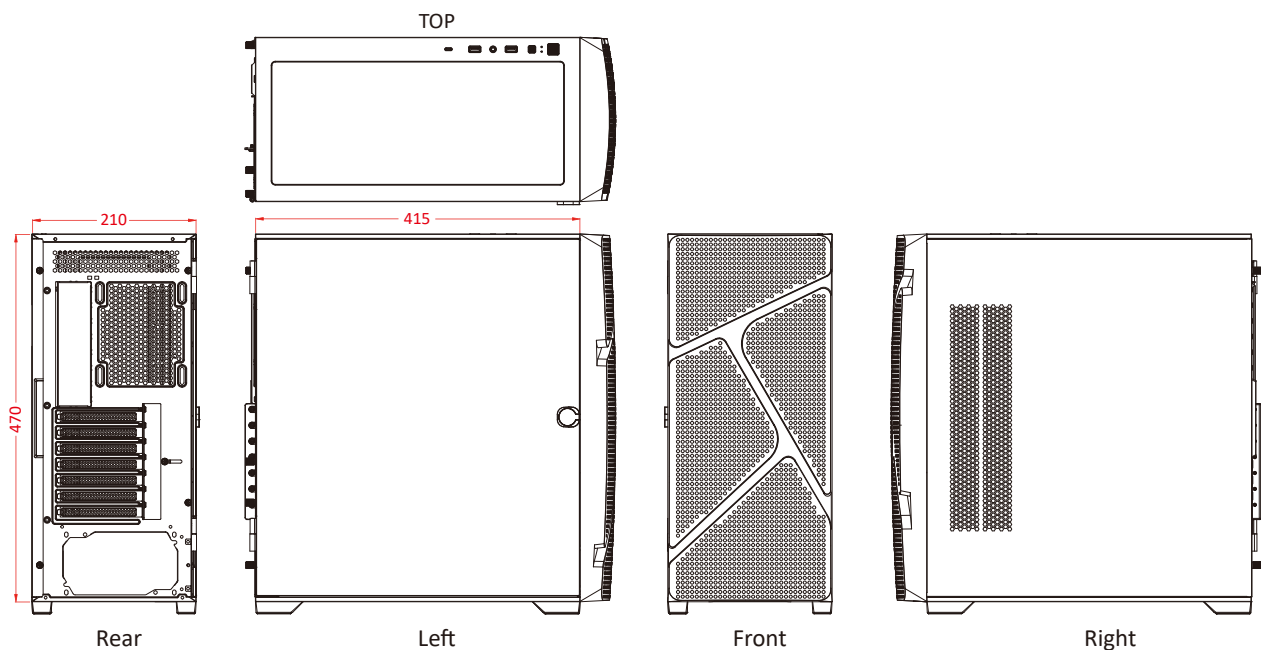
Support 2 x 3.5" and 3 x 2.5"
(1 x Converted From 3.5" HDD Cage Drive Bay)



Mini ITX to E-ATX Motherboard Compatibility

Dimension

unit : mm



Specifications

Model Number		ECA-MS31-BB-ARGB	ECA-MS31-WW-ARGB
Dimensions (Case)		D415 x W210 x H470mm	
Material		Tempered Glass, SPCC	
M/B Type		E-ATX, ATX, Micro-ATX, Mini-ITX	
I/O		USB3.0 x 2, USB3.2 Type C x 1, HD Audio	
Drive Bays	3.5"	2	
	2.5"	3 (1x converted from 3.5" HDD Cage)	
Expansion Slots		7	
Fan Support	Front	3 x 120mm / 3 x 140mm	
	Top	3 x 120mm / 2 x 140mm	
	Rear	1 x 120mm	
	Side	2 x 120mm	
	PSU Tunnel	2 x 120mm	
Radiator Support	Front	240 / 280 / 360 / 420mm	
	Top	240 / 280 / 360mm	
	Rear	120mm	
Clearance	PSU	230mm(Maximum)	
	GPU	370mm(With Radiator) / 410mm (Without Radiator)	
	CPU Cooler	162mm	
Cable Routing Space		25mm	
Shipping Information			
Barcode	EAN	4713157727800	4713157727817
	UPC	819315027806	819315027813
Carton Dimension		D532 x W262 x H515mm	
Gross Weight		7.7 kg	
Net Weight		6.6 kg	

*Product specifications are subject to change without notice.

*Options vary by countries or regions.

*For detailed information please visit our website at www.enermax.com

