

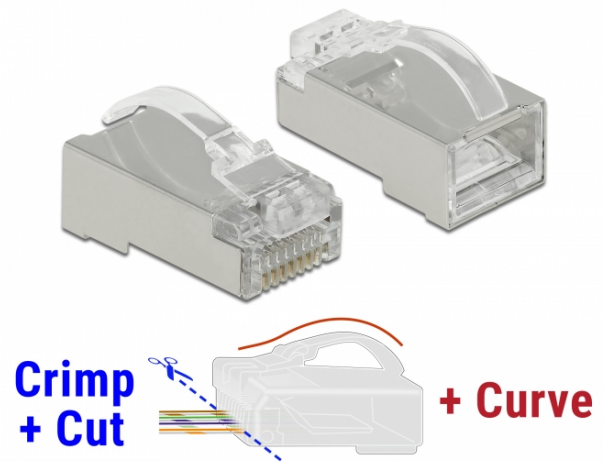
Delock RJ45 Crimp+Cut+Curve plug Cat.6 STP 20 pieces

Description

With this RJ45 plug by Delock and the matching Crimp+Cut tool a network cable can quickly and easily be connected to an RJ45 plug.

The **RJ45 Crimp+Cut** plug allows leading the wires out to the front; this speeds up the installation and the wiring order can be checked. At the same time, the performance is improved because the wire pair remains twisted close to the connector. When crimping, all wires are contacted simultaneously and the excess cable ends are cut off.

The new "**Curve**" feature is an extended, curved latch that gives way when the plug is pulled out and therefore cannot be damaged.



Specification

- Connector: 1 x RJ45 plug
- Shielded (STP)
- Cat.6 specification
- TIA-568A/B pinout
- 3-prong contact
- Contacts gold-plated: 1.27 um / 50 u"
- For solid or stranded wire up to 0.573 mm (23 - 26 AWG)
- For cable diameter from 5.0 - 6.5 mm
- Housing material: polycarbonate
- Colour: transparent
- Dimensions (LxWxH): ca. 22.2 x 14.0 x 11.7 mm

System requirements

- Delock 86450 RJ45 Crimp+Cut Toolkit

Package content

- 20 x RJ45 plug

Item no. 86474

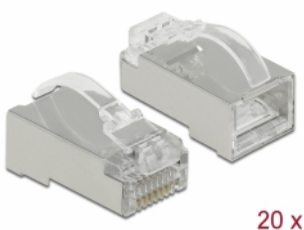
EAN: 4043619864744

Country of origin: China

Package: Poly bag



Images



20 x

General	
Suitable for conductor gauge:	24 - 26 AWG
Technical characteristics	
Category:	Cat.6
Shielding:	shielded
Physical characteristics	
Housing material:	Polycarbonat
Length:	22.2 mm
Width:	14.0 mm
Height:	11.7 mm
Colour:	transparent