

# 400F Series

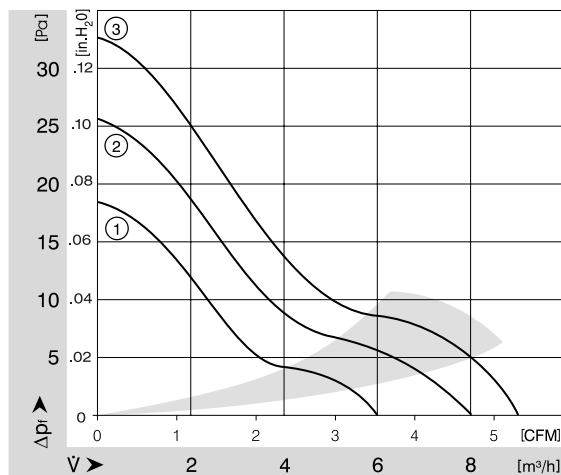
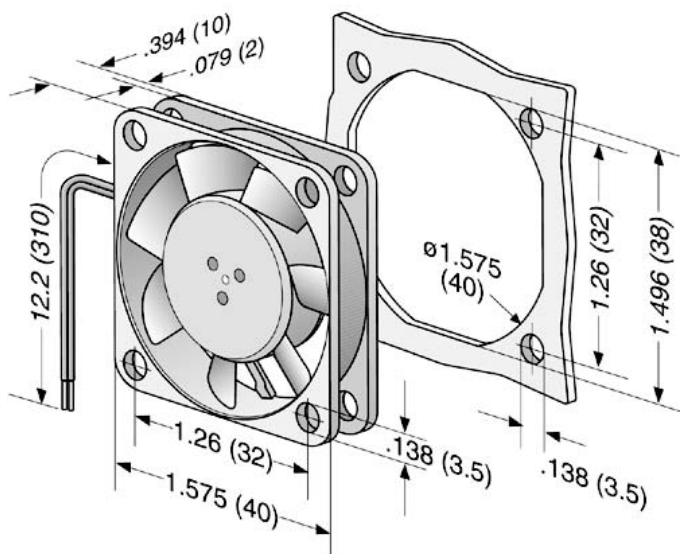
Tubeaxial

40x40x10mm



- DC fans with electronically commutated external rotor motor. Fully integrated commutation electronics.
- With electronic protection against reverse polarity. The fan only operates when the polarity is correct. Impedance-protected against blocking and overloading.
- Mounting from either face using four 3.5 mm holes.
- Fan of fiberglass reinforced plastic. PBT housing, PA impeller.
- Air exhaust over struts. Rotational direction CCW looking at rotor.
- Electrical connection via 2 leads AWG 28, TR 64. Stripped and tinned ends.
- UL, CSA, VDE approvals on some models, please contact application engineering.

Part Number	Curve	CFM @ 0	VDC	Volt. Range	Power (W)	dBA	Max. Amb. Temp. C	Bearing Type	Speed (RPM)	Features	Wgt. (lbs)
405F	2	4.7	5	4.5 to 5.5	0.7	22.1	70	Sintec	5400	Leads	0.04
405FH	3	5.3	5	4.5 to 5.5	0.9	26.0	70	Sintec	6000	Leads	0.04
412FM	1	3.5	12	10 to 14	0.6	16.5	70	Sintec	4300	Leads	0.04
412F	2	4.7	12	10 to 14	0.7	22.1	70	Sintec	5400	Leads	0.04
412FH	3	5.3	12	10 to 14	0.8	26.0	70	Sintec	6000	Leads	0.04
414F	2	4.7	24	20 to 28	0.8	22.1	70	Sintec	5400	Leads	0.04
414FH	3	5.3	24	21.6 to 26.4	0.9	26.0	70	Sintec	6000	Leads	0.04



**ebmpapst**

e-mail: [sales@us.ebmpapst.com](mailto:sales@us.ebmpapst.com) · TEL: 860-674-1515 · FAX: 860-674-8536

ebm-papst Inc., 100 Hyde Road, Farmington, CT 06034 USA

ebm-papst Inc., 2006 © ebm-papst Inc. reserves the right to change any specifications or data without notice